



ITALIAN ROLLING POWER



Puertas & Portones Automaticos, S.A. de C.V.

¡Nuestra pasión es la Solución!....

»OPERADOR MOTOR TUBULAR OCTAGONAL MARCA ACM MOD. MATIC 300M.



MANUAL DE INSTALACION

MODELO Ø 92	PAR MOTOR (NM)	R.P.M.	N. VUELTAS FINAL DE CARRERA	TERMICO (MIN)	POTENCIA CONSUMIDA (W)	INTENSIDAD ABSORBIDA (A)	PESO (KG)	LONGITUD (MM)
MATIC 300M	300	9	30	4	661	2.96	16	675



Versión Digital.

(229) 461-7028



portonesautomaticos@adsver.com.mx
portonesautomaticos@prodigy.net.mx

VERSION 2
NOVIEMBRE 2021



V03.24



RESIDENCIAL



COMERCIAL



INDUSTRIAL

MEMBER



International Door Association



(229) 927-55107, 167-8080, 167-8007, 151-7529

www.adsver.com.mx



ATTENTION

Please read the instructions carefully before proceeding with the assembly of the motor reducer. It is important to verify the compatibility of the motor reducer with the shutter to be motorised. It is important to follow the instructions carefully and go step by step through the various stages of assembly.

The manufacturer declines all responsibility in the case of incorrect installation or misuse of the product.



ATTENTION: For the safety of persons it is important to follow these instructions. Keep this manual for later reference.

ATTENTION: Before proceeding with electrical connections, disconnect the electric power using the main circuit breaker.

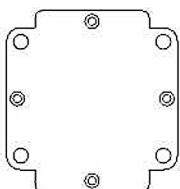
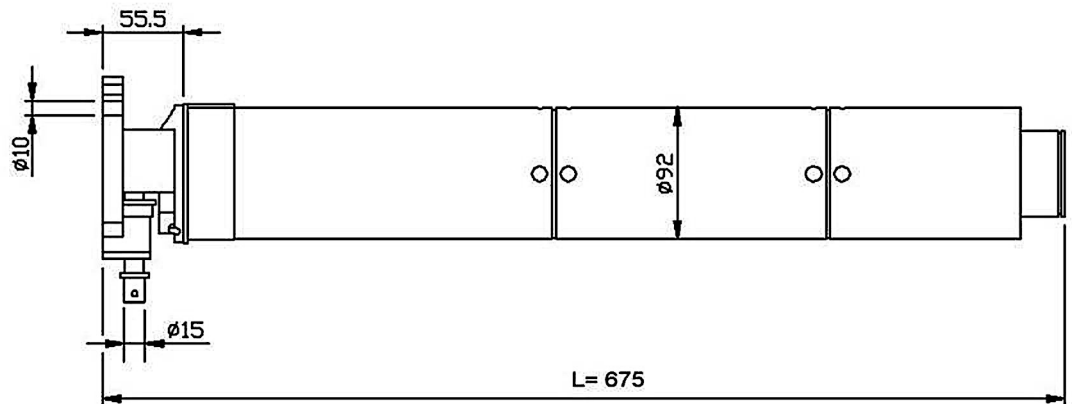
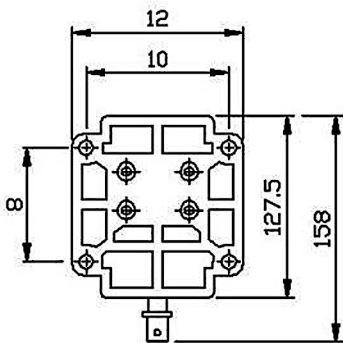
ATTENTION: Do not allow children to play with fixed control systems. Check the equipment frequently for anomalies and signs of wear or damage to wires or springs. Do not use if a repair or adjustment is necessary.

ATTENTION: This tubular motor reducer was manufactured to work safely when installed and used as indicated in the instructions below.

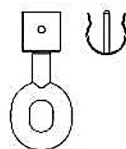
ATTENTION: Do not use control buttons that could result in two directions of rotation being selected at the same time. **Do not operate more than one motor reducer with each button.** Frequently check the installation for anomalies or signs of wear or damage to wiring. Do not use if a repair or adjustment is necessary.

Observe the shutter as it moves and keep all persons at a distance until it is completely closed. The product should not be installed at a height of less than that 2.5 metres. It is obligatory to install a device that guarantees the disconnection of all poles of the electrical network, with an aperture distance of the contacts of at least 3 mm. Before installing the movement motor reducer remove any unnecessary electrical wiring and disable any equipment which is not necessary for the functioning of the motor. The control button must be within view of the device and far away from mobile parts and at a height greater than 1.5 m. If the power cord is damaged it must be substituted by the manufacturer or by their technical assistance service, or in any case by a person having similar qualifications in order to prevent any risks. The motor reducer was designed for intermittent use and is equipped, internally, with a thermal protection device that interrupts the power supply in the case of overheating due to continuous operation. The device is automatically reset after a few minutes. The regular functioning of the device will be possible only after the motor reducer has cooled down completely.

DESCRIPTION OF THE KIT AND ACCESSORIES



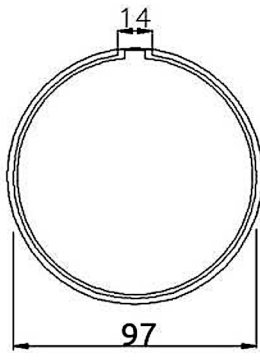
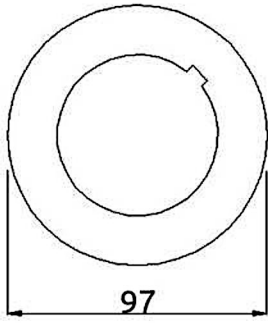
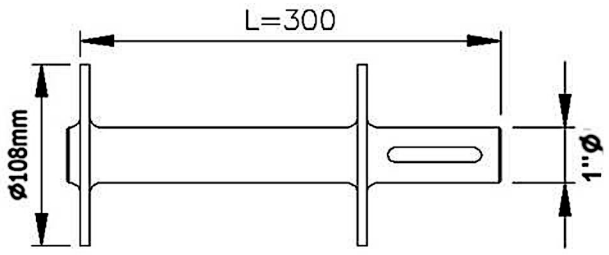
BRACKET

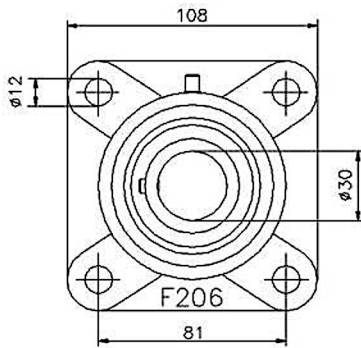


EYELET

Puertas & Portones Automaticos, S.A. de C.V.
¡Nuestra pasión es la Solución!....

ACCESSORIES FOR Ø92 TUBULAR MOTOR

ROLLER	CROWN	PULLEY	FLANGE
Ø101.6x2	 14 97 KT92-07	 97 KT92-01 P02	 L=300 Ø108mm 1"Ø KT92-05



BEARING F-206

Attention: If rollers are used with a diameter that is different from those illustrated above, please contact us in advance for further information.

INSTRUCTIONS FOR INSTALLATION, USE AND MAINTENANCE

- Fit onto the motor the crown, pulley, seeger ring and where necessary, the eyelet for the emergency manoeuvre; (fig. 1)

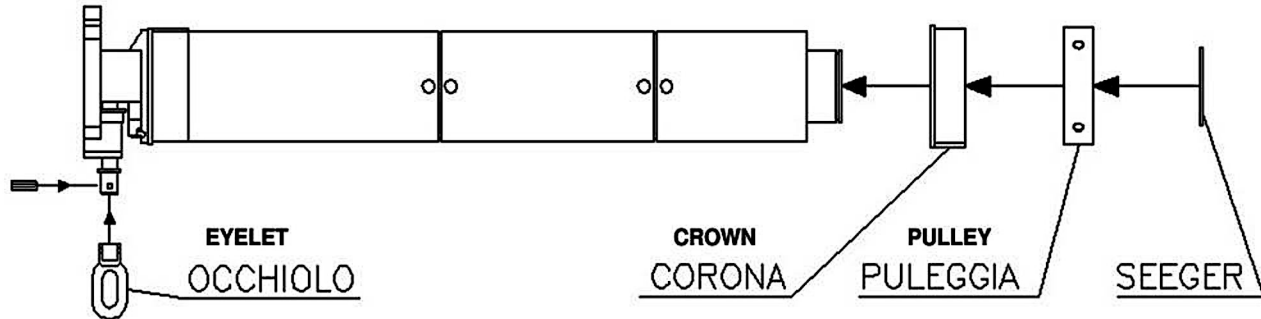


fig. 1

- Insert the motor reducer inside the roller making a slot on the edge of this latter, with equal dimensions to that present on the crown ; (fig. 2)

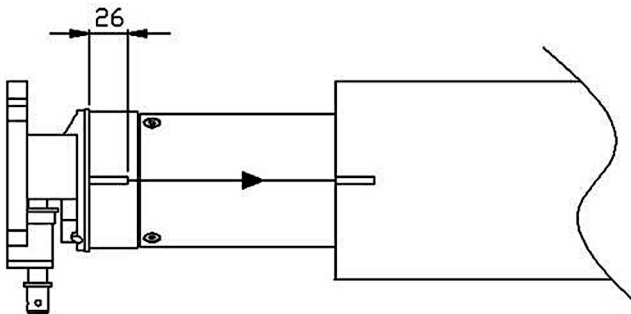


fig. 2

- Make 4 holes in the roller that correspond to the threaded holes in the pulley and insert the M8 screws included in the Kit. On the opposite side to the limit switch, fix by welding the roller with the flanged shaft; (fig.3)

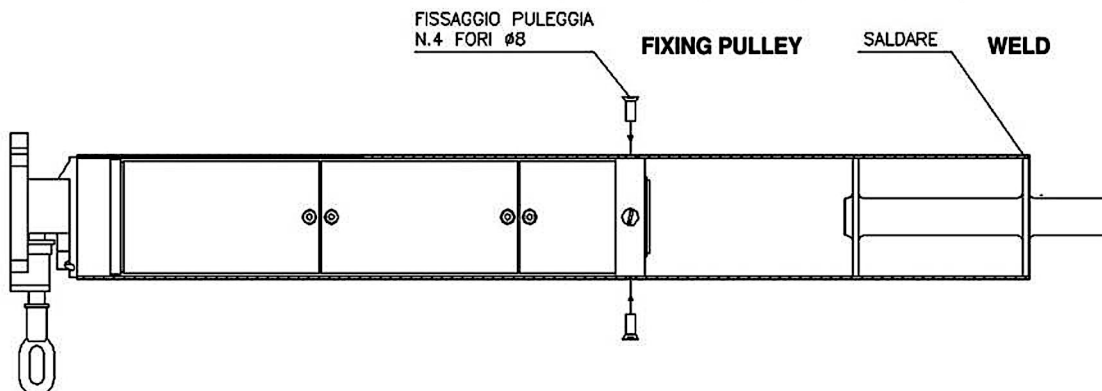


fig. 3

At this point it is possible to proceed with the fitting of the motor reducer to the shutter:

- From the side of the limit switch, fix the motor reducer by the wall bracket;
- On the other side, fix the shaft using the bearing F-206 or the parachute F3;

Depending on whether BEARING F-206 or the PARACHUTE F3 is being used, follow the procedures illustrated in fig. 4; Please note that the PARACHUTE F3 is a safety device that prevents sudden accelerations in descent and in any case prevents elevated speeds, blocking the descent of the shutter.

Puertas & Portones Automaticos, S.A. de C.V.
¡Nuestra pasión es la Solución!...

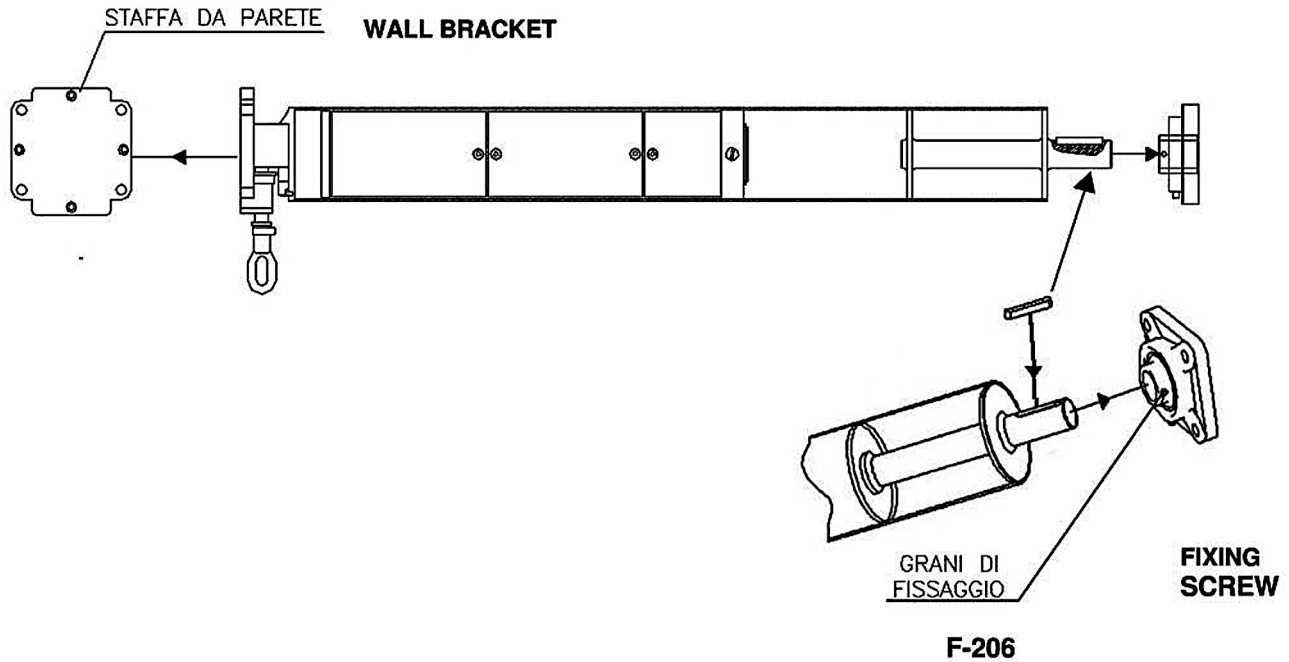


fig.4

ELECTRICAL CONNECTIONS DIAGRAM

Execute the electrical connections following the diagram in fig. 5 .

If it is decided to fit the PARACHUTE F3, cut the GREY/BLUE wire and connect one end to the GREEN wire coming from the parachute and the other end to the WHITE wire.

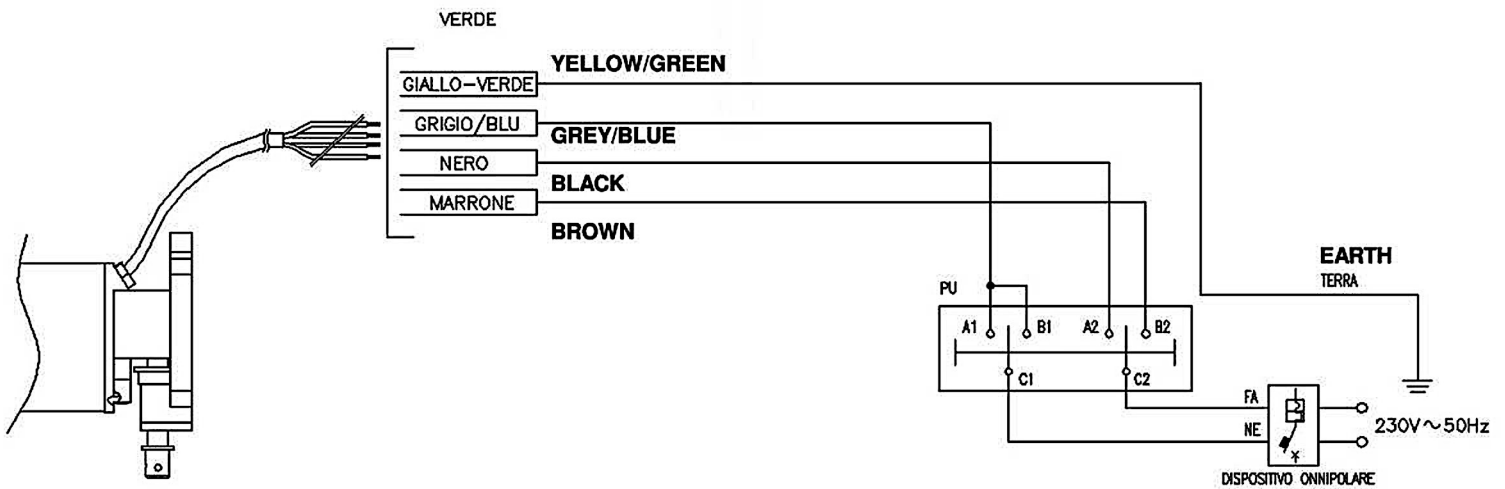


fig. 5

REGULATION OF THE LIMIT SWITCH

Before proceeding to regulate the limit switch, check that the rotation of the motor is in the desired direction. Should this not be the case the problem can be fixed by inverting the black and brown wires.

Figure 6 illustrates that whatever the type of installation (right or left), screw "A" regulates the upward movement and screw "B" the downward movement. Move the rolling shutter down by pressing the button. If the rolling shutter does not reach the position required, turn screw "B" clockwise and with the button pressed down, bring the rolling shutter down to the position required. If, instead, the rolling shutter stops below the position required move it back up using the control button and then turn screw "B" in a anticlockwise direction to reduce the travelling distance so that even if the button is pressed the rolling shutter remains stationary. At this point repeat the operations described for the top position of the rolling shutter. Press the button to wind the rolling shutter up. If the stop position of the rolling shutter is too low turn screw "A" clockwise until it reaches the position required. If the rolling shutter stops in a position that is too high, turn screw "A" anticlockwise to reduce the travelling distance.

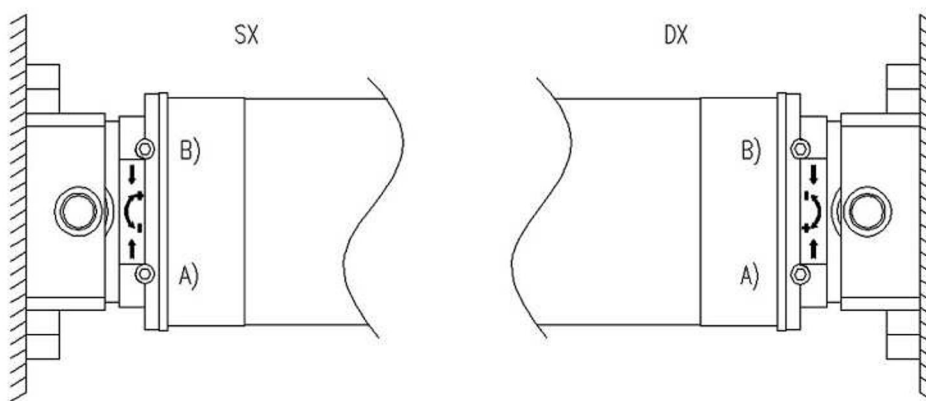


fig. 6

UTILISATION OF THE EMERGENCY LEVER

Remove the covering from the lever and push it towards the inside. Insert the bar into the eyelet and turn the lever clockwise or anticlockwise in order to open or close the shutter (fig. 7).

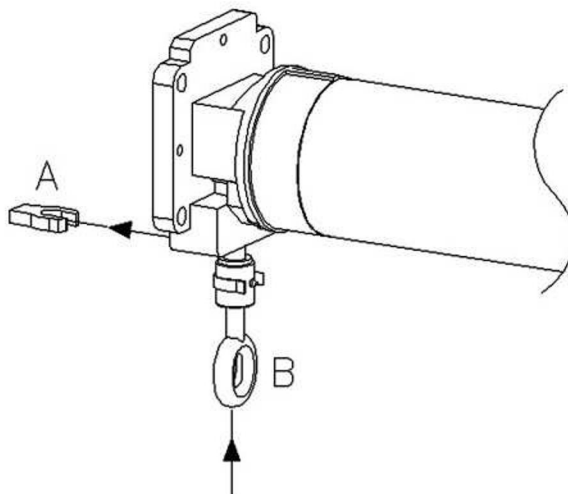


fig. 7

DECLARATION OF CONFORMITY

The MATIC Ø92M tubular motor comply with the following technical standards: EN 301 489-3, EN 300 220-3, EN 603351:2002+A1+ A11+ A12+A2+A13, EN 60335-2-97:2006+A11, and the European directives 2004/108/EC, 2006/95/EC.



ITALIAN ROLLING POWER



Puertas & Portones Automaticos, S.A. de C.V.

¡Nuestra pasión es la Solución!....

»OPERADOR MOTOR TUBULAR OCTAGONAL MARCA ACM MOD. MATIC 300M.



Puertas & Portones Automaticos, S.A. de C.V.

¡Nuestra pasión es la Solución!....

VERSION 2
NOVIEMBRE 2021



V03.24

(229) 461-7028

portonesautomaticos@adsver.com.mx
portonesautomaticos@prodigy.net.mx



RESIDENCIAL



COMERCIAL



INDUSTRIAL



MEMBER
International Door Association



(229) 927-55107, 167-8080, 167-8007, 151-7529

www.adsver.com.mx